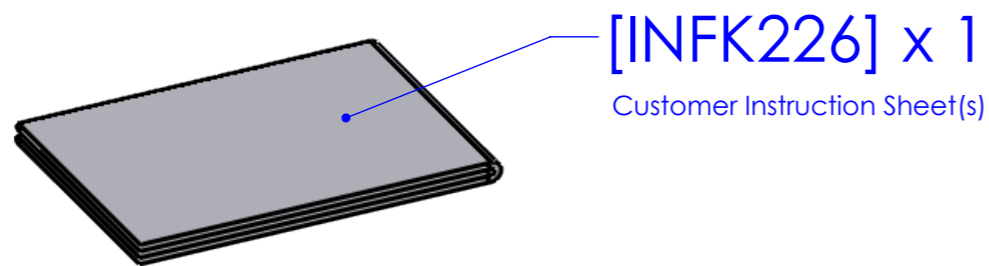
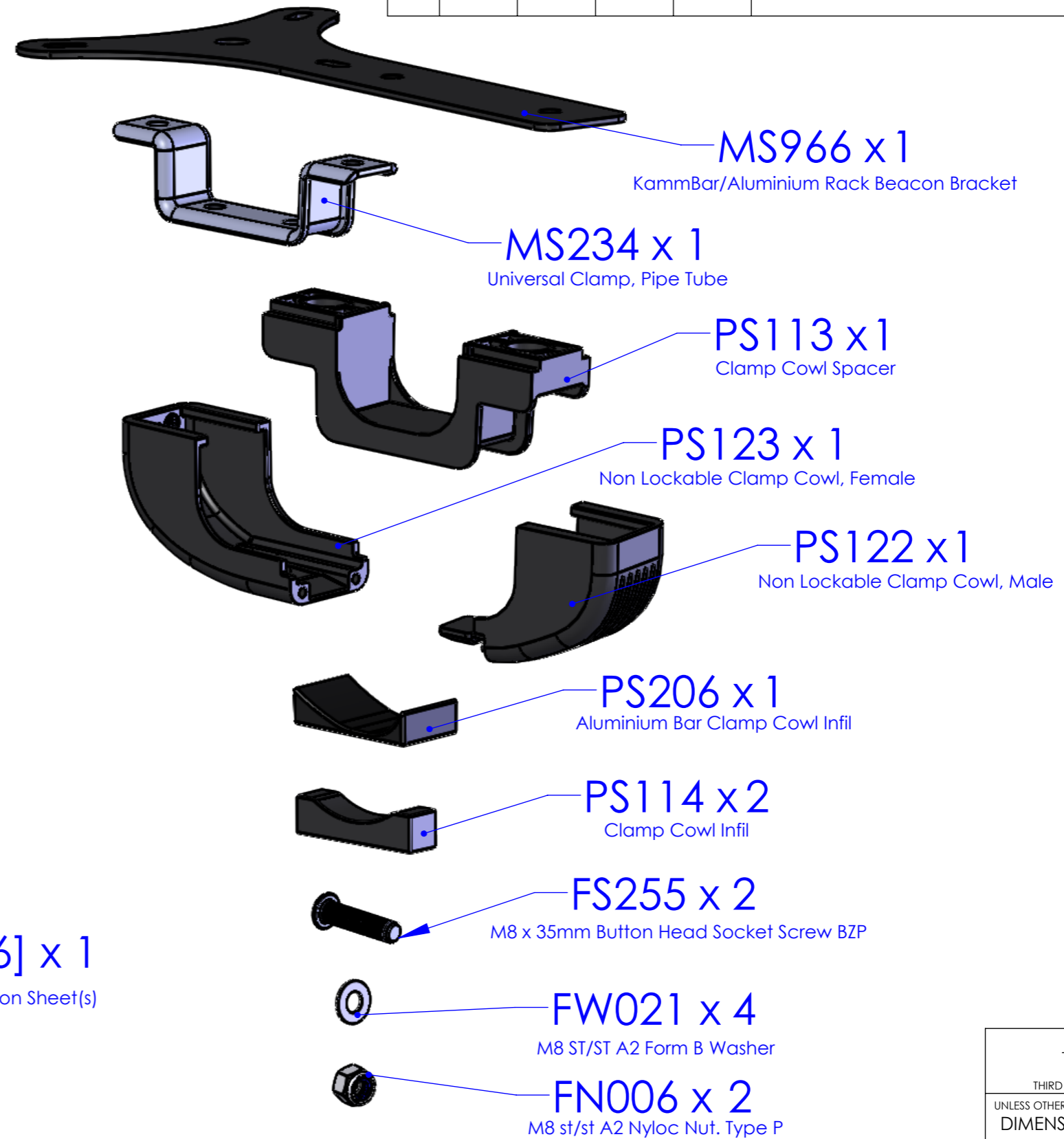
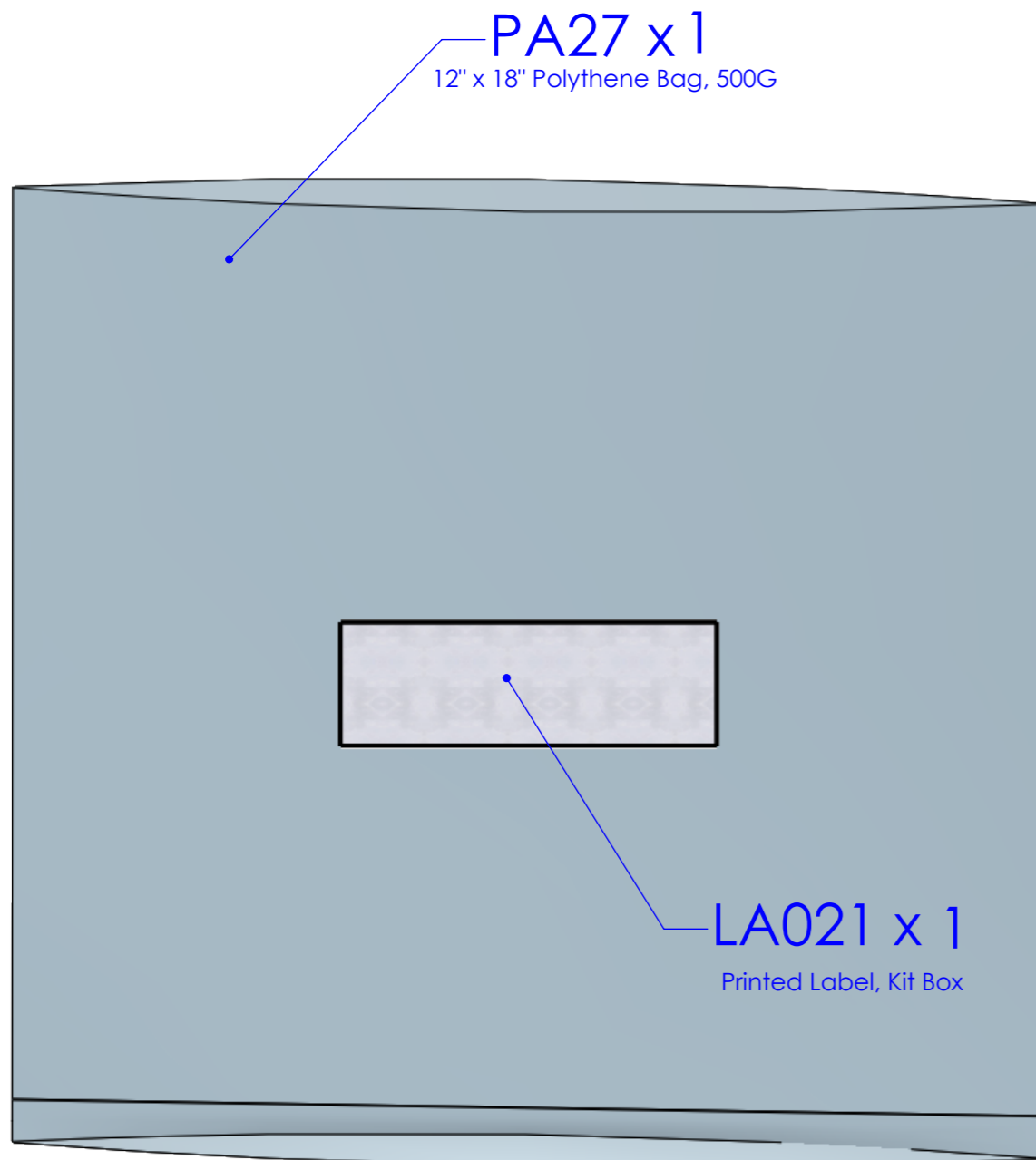
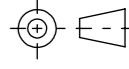


ISSUE:	DRAWN BY:	CHECKED BY:	CRF NO:	DATE:	DESCRIPTION:
a	JW	KB	1853	04/06/18	New Beacon Bracket Fitting Kit



DRAWING NO: FK226 (1 of 2)	DESCRIPTION: KammBar/Alu Rack Beacon Bracket Fitting Kit	DESIGNED BY: J. Williams 04/06/18
MATERIAL SIZE: -	MATERIAL SPEC: -	WEIGHT: 0.53Kg
© NOTE: This drawing is the property of Rhino Products Ltd and must not be used or copied without written consent. The Rhino Products name and logo must remain clearly visible in any reproduction.		

 THIRD ANGLE PROJECTION	
UNLESS OTHERWISE SPECIFIED: DIMENSIONS ARE IN MM	
0.00	±0.2
0.0	±0.5
ANG	±0.5°
DERIVED DIMENSIONS SHOWN IN BRACKETS	
DEBURR AND BREAK ALL SHARP EDGES	
SHEET SIZE A3	SHEET SCALE: 1:2

